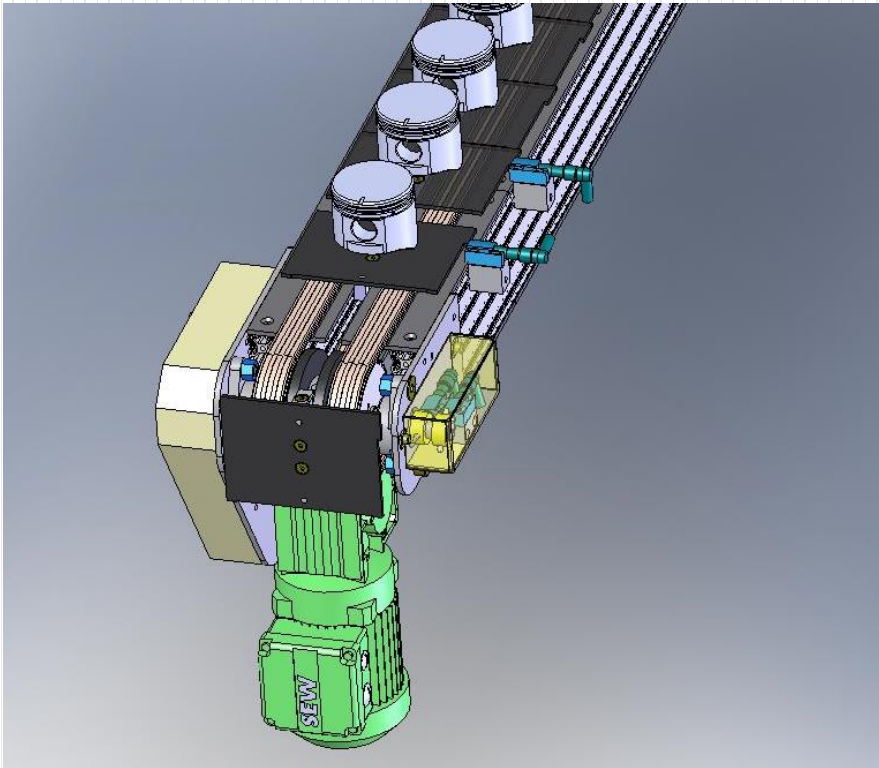




SISTEMAS VP DATA SHEET LIGHT SOLUTION



System benefit:

Space saving.

Gear motors saving.

Pallet dimension suitable to your necessity

Standard pallet dimension:

Width: from 160 to 220mm

Length: from 120mm to 200mm

For CAD files
ask to
ufcomm@lammas.it

DATA SHEET

Aluminum profile structure

Electrowelded supports

SEW/BONFIGLIOLI Gear Motor

Skid torque limiter

Triple 3/8 chain

Spring chain tensioner

Pneumatic stop pallet

Max load 5kg.

LAMiMAS

AUTOMATION COMPONENTS

Strada Castellamonte-Bairo 1/A

10010 Bairo (TO) Italy.

Tel : +390124501266

Fax : +390124501047

http : www.lammas.it

E-mail : ufcomm@lammas.it

The reproduction, even partial, of the contained concerning this technical catalogue is forbidden. Liability for possible errors and/or omissions are not accepted.